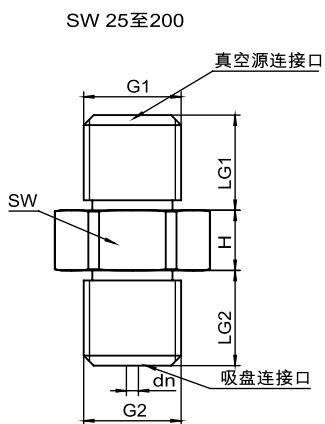


型号：SW



## 阀体技术使用说明书

### 1.设计参数及功能说明



### 1.设计参数及功能说明

| 型号           | 尺寸 (mm) |         |         |   |     |     |    |
|--------------|---------|---------|---------|---|-----|-----|----|
|              | dn      | G1      | G2      | H | LG1 | LG2 | SW |
| SW25G1/8-AG  | 0.25    | G1/8-AG | G1/8-AG | 6 | 9.5 | 9.5 | 14 |
| SW40G1/8-AG  | 0.4     | G1/8-AG | G1/8-AG | 6 | 9.5 | 9.5 | 14 |
| SW50G1/8-AG  | 0.5     | G1/8-AG | G1/8-AG | 6 | 9.5 | 9.5 | 14 |
| SW60G1/8-AG  | 0.6     | G1/8-AG | G1/8-AG | 6 | 9.5 | 9.5 | 14 |
| SW70G1/8-AG  | 0.7     | G1/8-AG | G1/8-AG | 6 | 9.5 | 9.5 | 14 |
| SW80G1/8-AG  | 0.8     | G1/8-AG | G1/8-AG | 6 | 9.5 | 9.5 | 14 |
| SW90G1/8-AG  | 0.9     | G1/8-AG | G1/8-AG | 6 | 9.5 | 9.5 | 14 |
| SW100G1/8-AG | 1       | G1/8-AG | G1/8-AG | 6 | 9.5 | 9.5 | 14 |
| SW110G1/8-AG | 1.1     | G1/8-AG | G1/8-AG | 6 | 9.5 | 9.5 | 14 |
| SW120G1/8-AG | 1.2     | G1/8-AG | G1/8-AG | 6 | 9.5 | 9.5 | 14 |
| SW40G1/4-AG  | 0.4     | G1/4-AG | G1/4-AG | 6 | 10  | 10  | 17 |
| SW50G1/4-AG  | 0.5     | G1/4-AG | G1/4-AG | 6 | 10  | 10  | 17 |
| SW60G1/4-AG  | 0.6     | G1/4-AG | G1/4-AG | 6 | 10  | 10  | 17 |
| SW70G1/4-AG  | 0.7     | G1/4-AG | G1/4-AG | 6 | 10  | 10  | 17 |
| SW80G1/4-AG  | 0.8     | G1/4-AG | G1/4-AG | 6 | 10  | 10  | 17 |
| SW90G1/4-AG  | 0.9     | G1/4-AG | G1/4-AG | 6 | 10  | 10  | 17 |
| SW100G1/4-AG | 1       | G1/4-AG | G1/4-AG | 6 | 10  | 10  | 17 |
| SW110G1/4-AG | 1.1     | G1/4-AG | G1/4-AG | 6 | 10  | 10  | 17 |
| SW120G1/4-AG | 1.2     | G1/4-AG | G1/4-AG | 6 | 10  | 10  | 17 |
| SW150G1/4-AG | 1.5     | G1/4-AG | G1/4-AG | 5 | 9   | 9   | 17 |
| SW200G1/4-AG | 2       | G1/4-AG | G1/4-AG | 5 | 9   | 9   | 17 |

### 2.工作原理

- 1.真空源接口：连接真空发生器
- 2.吸盘连接口：连接吸盘

节流阀是通过改变节流截面控制流体流量，未吸附到工件时减少流量损失。

**※前端需增加过滤器，防止阀体堵塞。**